



# HOSHIZAKI



## HNC SUSHI CASES - 120BE/150BE/180BE/210BE - L/R-B

HNC-120BE-L/R-B



HNC-210BE-L/R-B



All models available with condenser on left or right side.



### Product Description

Hoshizaki's HNC Sushi Cases are made to sit on counter tops, with a contemporary and modern design.

Stable humidity and temperature levels are maintained at all times, instead of forced air circulation methods that dry out and ruin displayed sushi.

Hoshizaki machines will not defrost and allow condensation to drop onto the sushi displayed within them, protecting the integrity of the product at all times.

- Self-contained unit has large diameter 2.54cm drains
- Refrigerated stainless steel glass display merchandiser
- 8 models available from 1.2m to 2.1m
- Condenser airflow is in the back and out the side
- Solid food plates with radius groove to fit sushi foods
- Large condenser face improves cooling performance
- Top glass angles down, allowing for 170cm plate space on top of units
- Large front to back interior 27cm

### Available Models

Model	Outside Dimensions W x D x H (mm)	Inside Dimensions W x D x H (mm)	Effective Capacity	Convection Cooling
HNC-120BE-L/R-B	1200 x 345 x 270	845 x 288 Floor x 157	42L	•
HNC-150BE-L/R-B	1500 x 345 x 270	1145 x 288 Floor x 157	57L	•
HNC-180BE-L/R-B	1800 x 345 x 270	1445 x 288 Floor x 157	72L	•
HNC-210BE-L/R-B	2100 x 345 x 270	1745 x 288 Floor x 157	87L	•

### Specifications

Specification	HNC-120BE-L/R-B	HNC-150BE-L/R-B	HNC-180BE-L/R-B	HNC-210BE-L/R-B
Power Supply / Capacity: 0.67kVA (2.8A)	1 Phase 220 - 240V / 50Hz			
Electric Consumption (Power Factor: 55%)	150W	150W	150W	150W
Heat Rejection (AT.32°C, WT.21°C)	350W	360W	370W	380W
Power Cord Length	2.4m	2.4m	2.4m	2.4m
Exterior	Clear Glass , ABS Plastic, PVC Plastic			
Interior	Clear Glass, ABS Plastic, Stainless Steel			
Sliding Glass Doors (mm)	(2 x) 435(W) x 172(H)	(4 x) 293(W) x 172(H)	(4 x) 368(W) x 172(H)	(4 x) 443(W) x 172(H)
Evaporator	(Upper) Tube Type, (Lower) Pipe on Sheet Type			
Refrigerant	R134a	R134a	R134a	R134a
Operating Conditions	Ambient Temperature: 10 - 30°C Voltage Range: Rated Voltage ± 6%			
Accessories	Food Mount x 3, Joint x 1, Drain Hose x 1	Food Mount x 4, Joint x 2, Drain Hose x 1	Food Mount x 5, Joint x 2, Drain Hose x 1	Food Mount x 6, Joint x 2, Drain Hose x 1

For more information visit our website [www.hoshizaki-europe.com](http://www.hoshizaki-europe.com)

Hoshizaki Europe B.V. retains the right to change products and their specifications without prior notice.

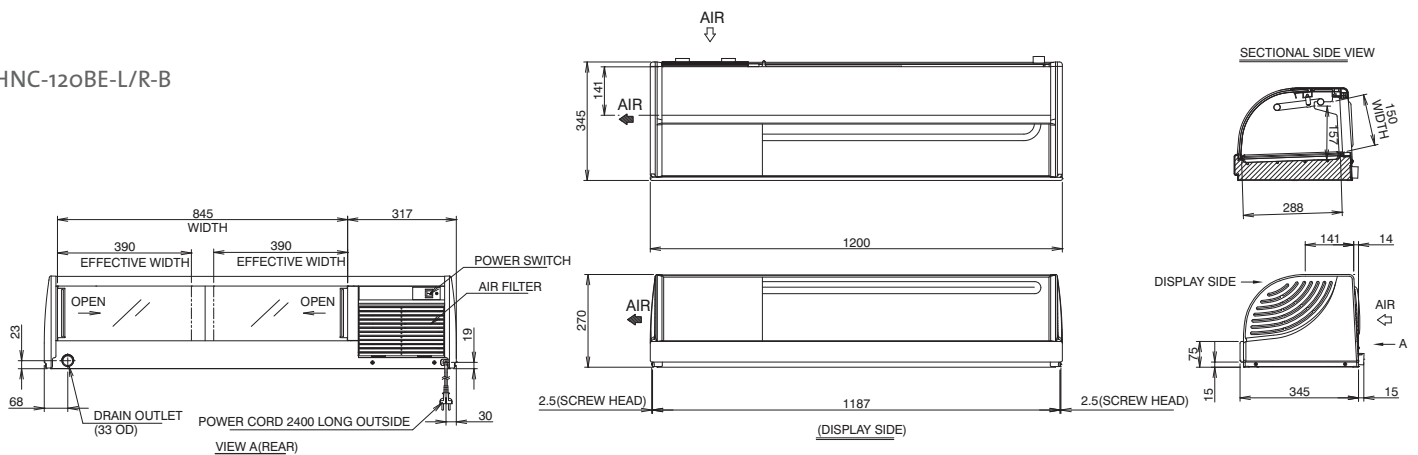




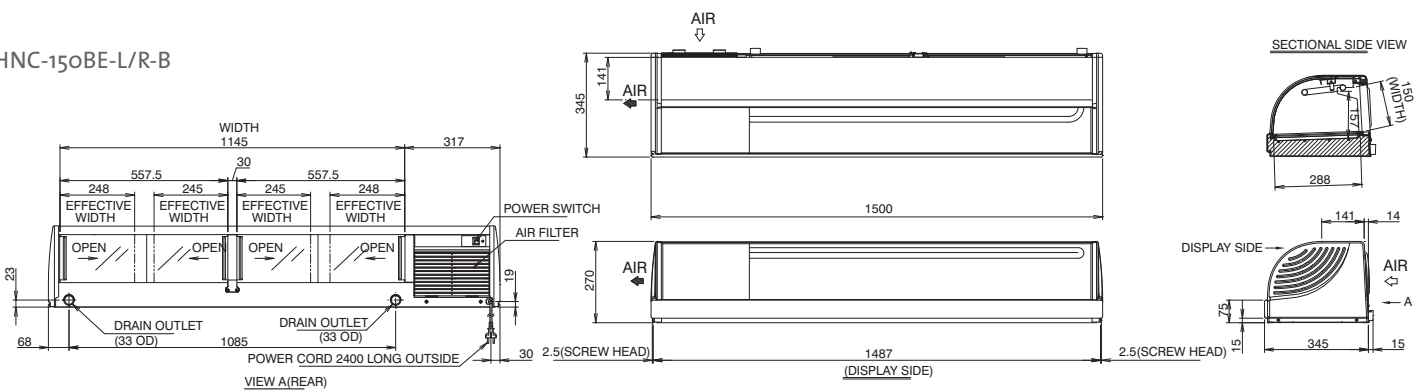
# HOSHIZAKI

## HNC SUSHI CASES - 120BE/150BE/180BE/210BE - L/R-B

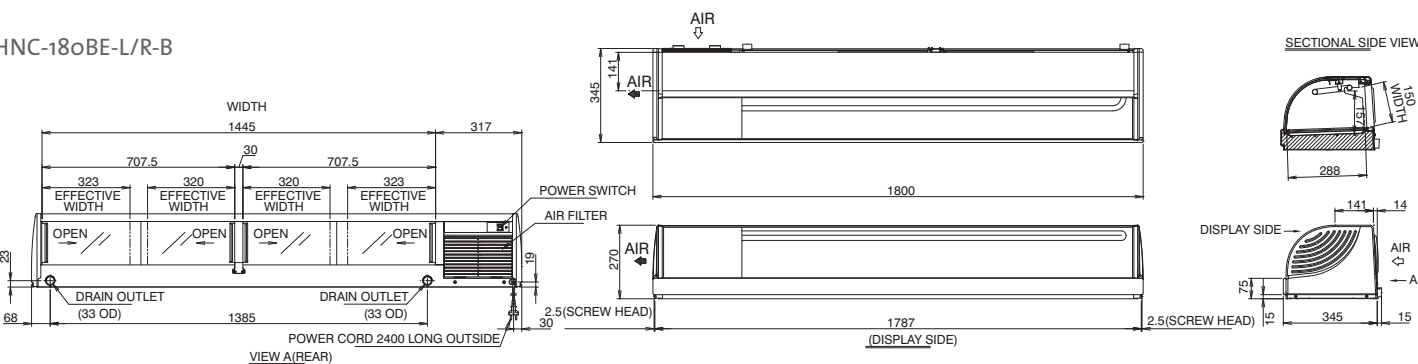
HNC-120BE-L/R-B



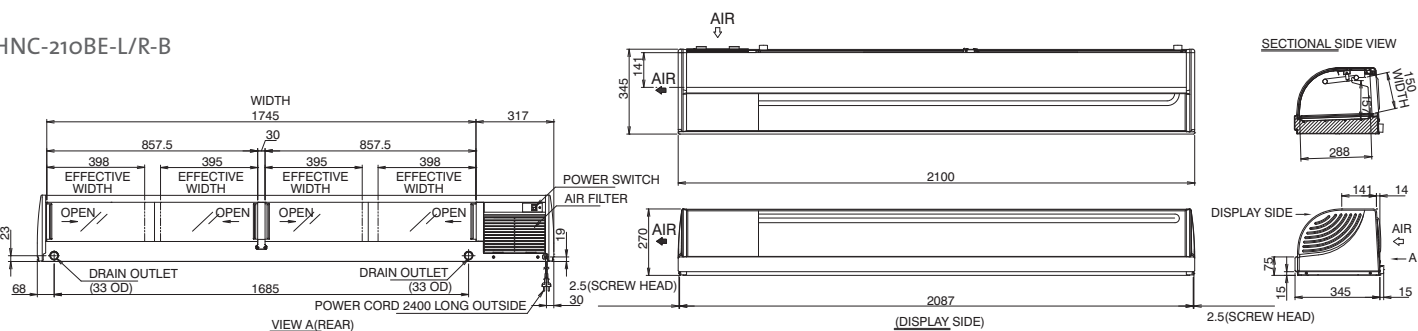
HNC-150BE-L/R-B



HNC-180BE-L/R-B



HNC-210BE-L/R-B



Full CAD specification drawings available on website

For more information please contact your local sales office:

Hoshizaki Belgium:  
Hoshizaki Deutschland:  
Hoshizaki France:  
Hoshizaki Iberia:  
Hoshizaki Middle East:

info@hoshizaki.be  
info@hoshizaki.de  
info@hoshizaki.fr  
info@hoshizaki.es  
info@hoshizaki.ae

Hoshizaki Nederland:  
Hoshizaki United Kingdom:  
Other countries:

sales@hoshizaki.nl  
uksales@hoshizaki.co.uk  
sales@hoshizaki.nl

[www.hoshizaki-europe.com](http://www.hoshizaki-europe.com)