

# Apach

## COOK *line*

Catalogo parti di ricambio valido  
dalla matricola 0000001 (31.10.2006) ad oggi (02.02.2023)

Catalogue pieces detachees  
valable à partir du numero de Série n. 0000001 (31.10.2006) jusqu'à aujourd'hui  
(02.02.2023)

Ersatzteilkatalog  
gültig ab Serien-Nr. 0000001 (31.10.2006) bis heute (02.02.2023)

Spare parts catalogue  
valid from serial no. 0000001 (31.10.2006) up today (02.02.2023)

Catálogo de peças de reposição  
válido do número de série 0000001 (31.10.2006) até hoje (02.02.2023)

Le informazioni sono considerate non vincolanti. Le immagini rappresentate sono puramente indicative. Il produttore si riserva il diritto di apportare modifiche in qualsiasi momento senza preavviso.

Les informations données ne sont pas contraignantes. Les images montrées sont à titre indicatif. Le producteur se réserve le droit d'apporter des modifications sans préavis.

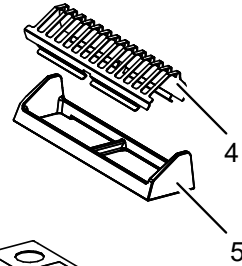
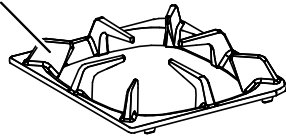
Die im vorliegenden Dokument aufgeführten Informationen und Bilder sind unverbindlich. Der Hersteller behält sich das Recht vor, jederzeit ohne vorherige Ankündigung Änderungen vorzunehmen

Info and drawing could be slightly different from reality and they cannot be considered as compelling. Manufacturer can modify info anytime without forewarning.

As Informações e desenhoS podem estar um pouco diferente da realidade e são puramente indicativas. O fabricante pode modificar estas informações a qualquer momento sem aviso prévio.



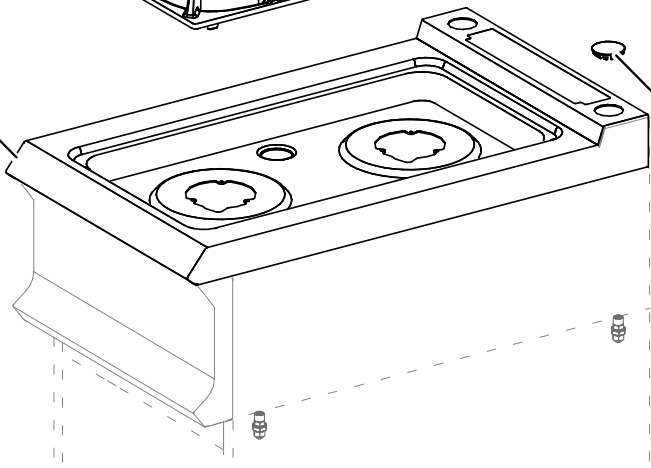
1-2-3



4

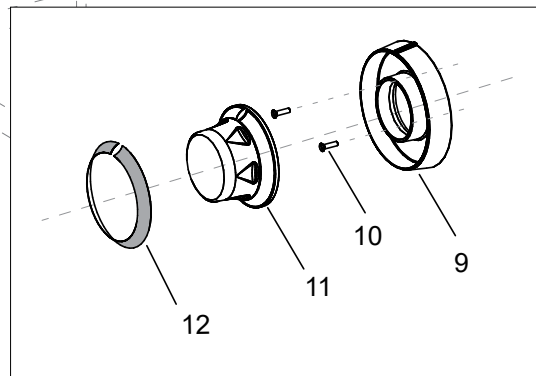
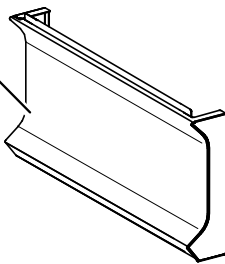
5

7



6

8



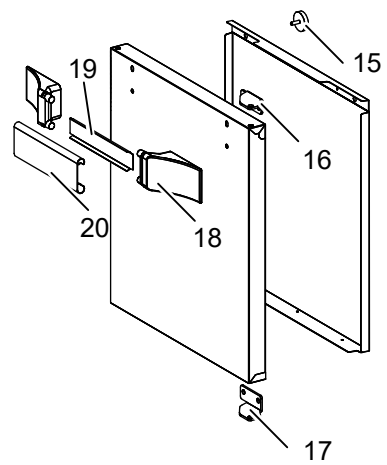
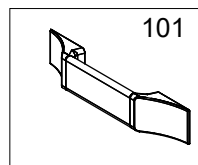
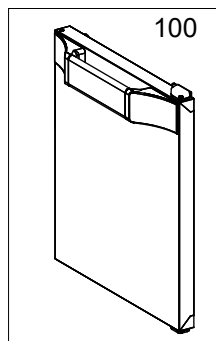
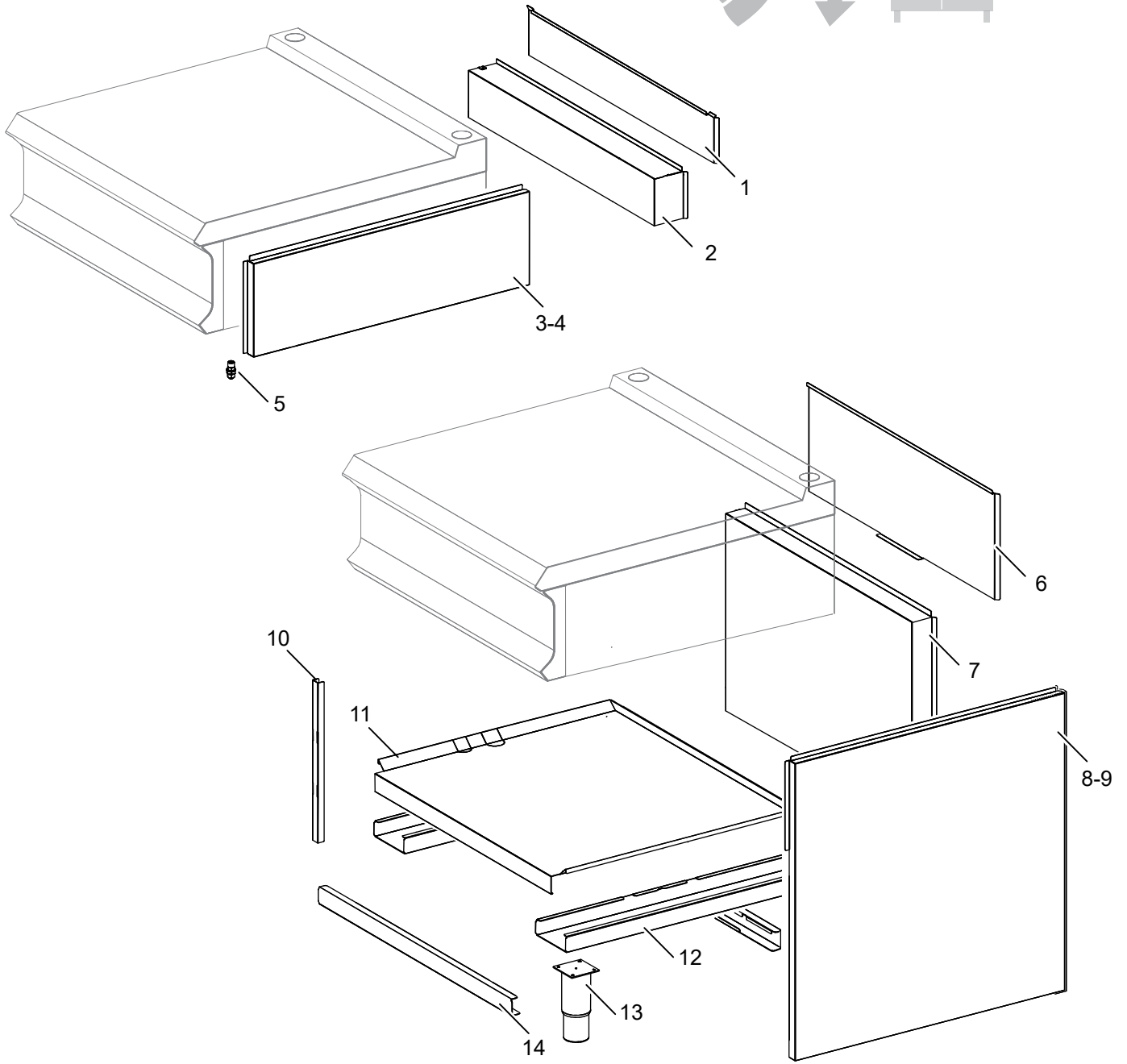
12

11

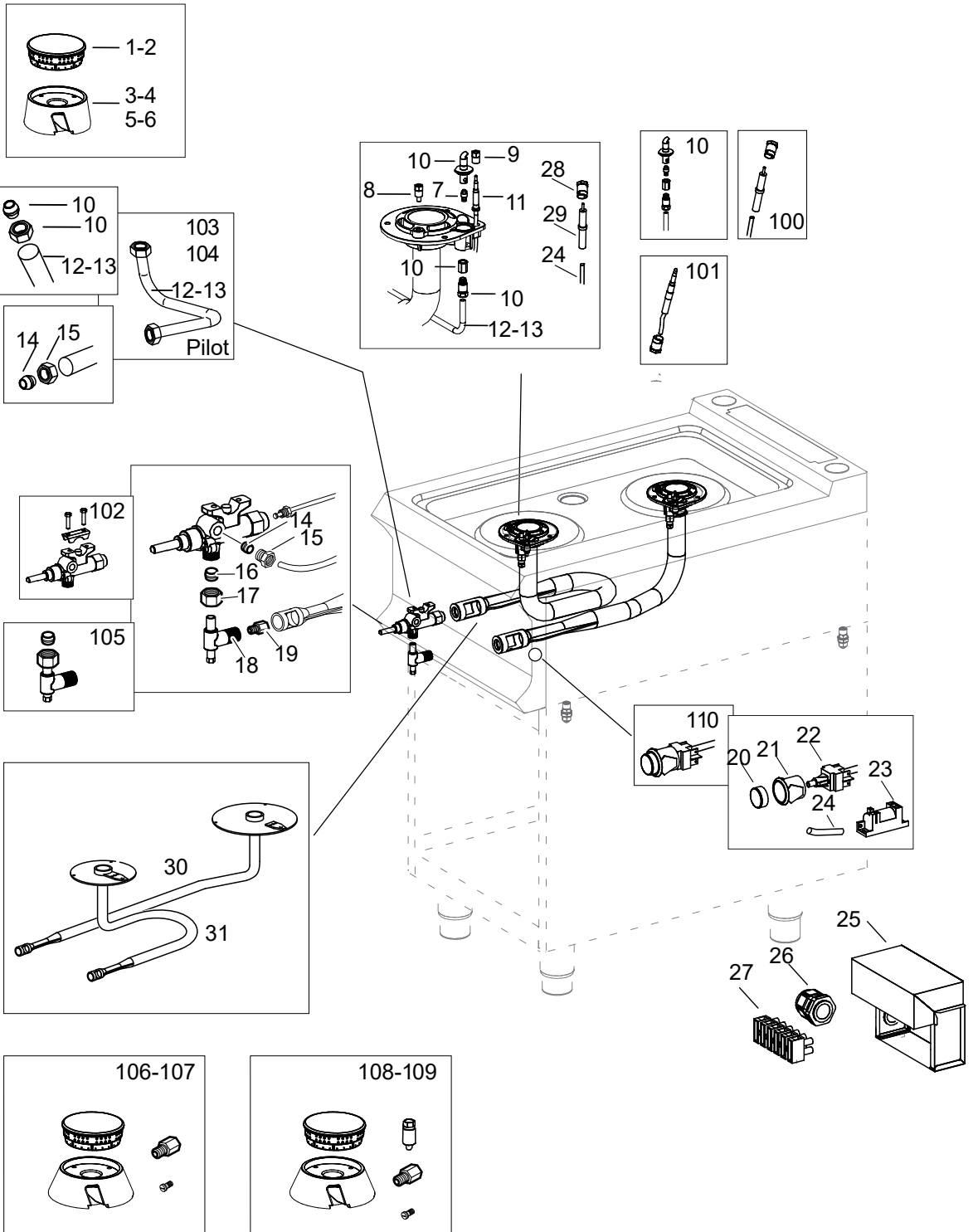
10

9

<b>Nr.</b>	<b>Code</b>	<b>Title</b>	<b>Recommended</b>
1.	RTCU700274	<i>SINGLE CAST IRON GRID</i>	
4.	202046	<i>CHIMNEY GRILL</i>	
7.	202008	<i>WORK PLANE</i>	
8.	202246	<i>CONTROL PANEL</i>	
11.	202201	<i>BURNER KNOB</i>	
12.	200160	<i>KNOB RING</i>	
100.	ECS7004	<i>RECOMMENDED PARTS FOR FB74A</i>	✓



<b>Nr.</b>	<b>Code</b>	<b>Title</b>	<b>Recommended</b>
1.	200054	<i>HIGH REAR</i>	
2.	200053	<i>LOW TOP REAR</i>	
3.	200050	<i>LEFT SIDE TOP</i>	
4.	200051	<i>RIGHT SIDE TOP</i>	
5.	183993	<i>FOOT</i>	



<b>Nr.</b>	<b>Code</b>	<b>Title</b>	<b>Recommended</b>
1.	185734	<i>BURNER CAP 7 KW</i>	✓
3.	200656	<i>BURNER 7KW</i>	
7.	INIETTORE	<i>SEE HANDBOOK NOZZLES</i>	
9.	RTCU700391	<i>NUT FIXING THERMOCOUPLE</i>	✓
10.	185732	<i>PILOT BURNER FLEX 2.0</i>	✓
11.	RTCU700374	<i>THERMOCOUPLE</i>	✓
12.	200737	<i>BACK BURNER PILOT PIPE</i>	
13.	200738	<i>FRONT BURNER PILOT PIPE</i>	
14.	RTCU900019	<i>NUT D.6 HEIGHT 10,5 MM.</i>	✓
15.	RTCU900018	<i>BICONE D.6 MM.6</i>	✓
16.	RTCU900012	<i>BICONE D.10</i>	✓
17.	RTCU700297	<i>NUT D.10</i>	✓
18.	173320	<i>INJECTOR SUPPORT TOP</i>	✓
19.	INIETTORE	<i>SEE HANDBOOK NOZZLES</i>	
30.	200196	<i>BACK BURNER DISTRIBUTION PIPE</i>	
31.	200197	<i>FRONT BURNER DISTRIBUTION PIPE</i>	
101.	RTCU700374-00	<i>KIT THERMOCOUPLE</i>	✓
102.	RIC0004953	<i>KIT GAS TAP</i>	✓
103.	RIC0004948	<i>KIT FRONT PILOT PIPE FB77FEXSAE</i>	
104.	RIC0004949	<i>KIT REAR PILOT PIPE FB77FEXSAE</i>	
105.	RIC0004951	<i>KIT NOZZLE SUPPORT FB77FEXSAE</i>	
106.	KFB55S	<i>COMPLETE ENAMELED BURNER KIT 5,5KW</i>	✓
108.	KFB70S	<i>COMPLETE ENAMELLED BURNER KIT 7KW</i>	✓